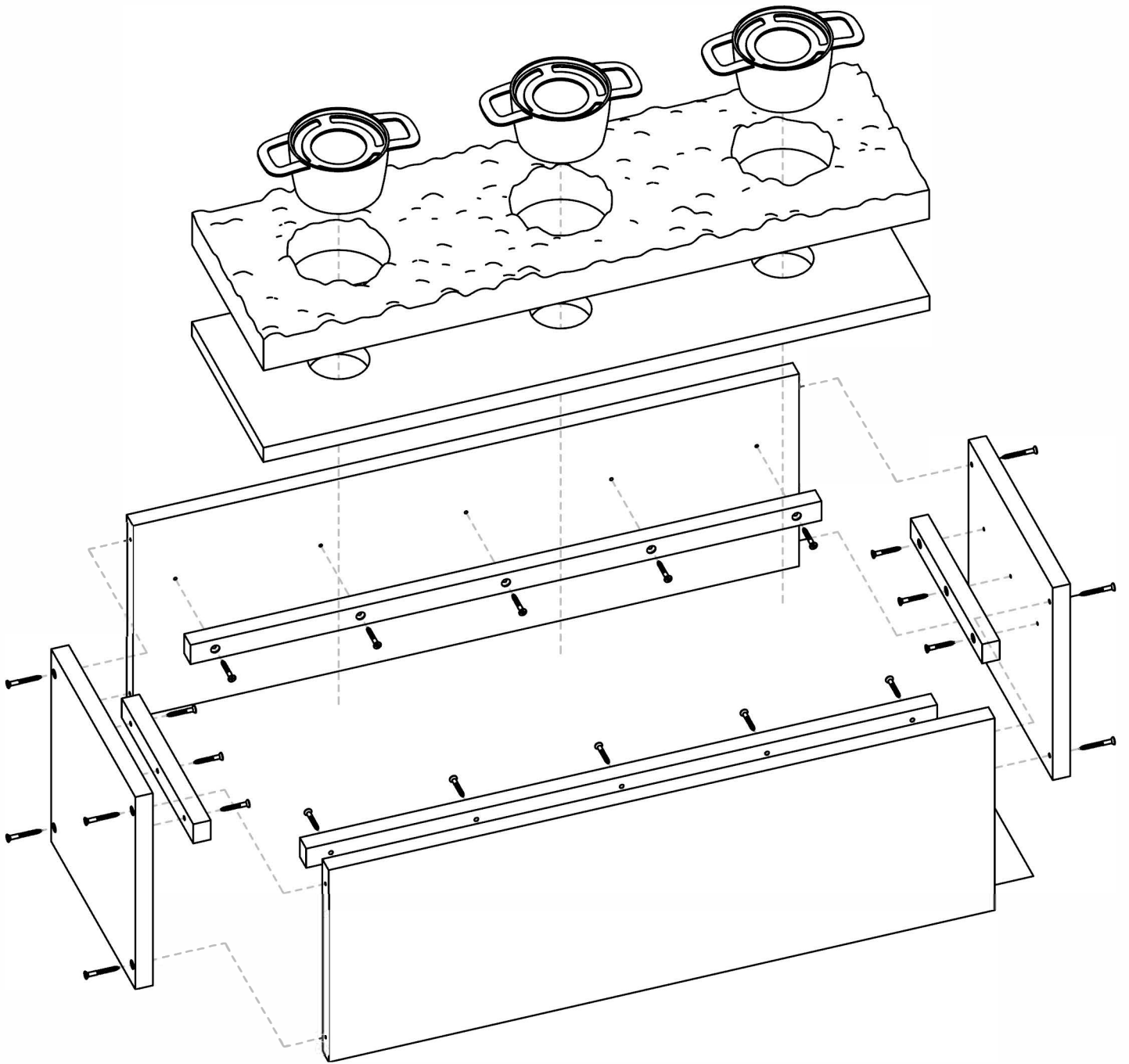


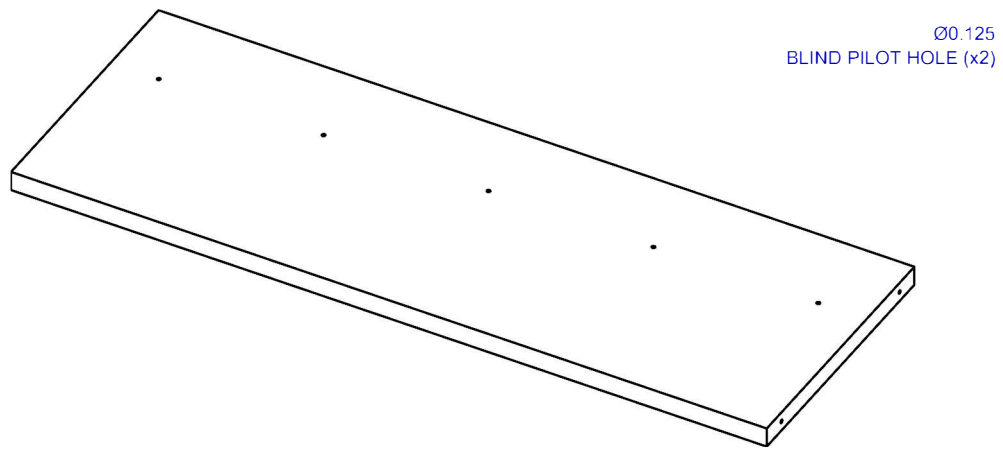
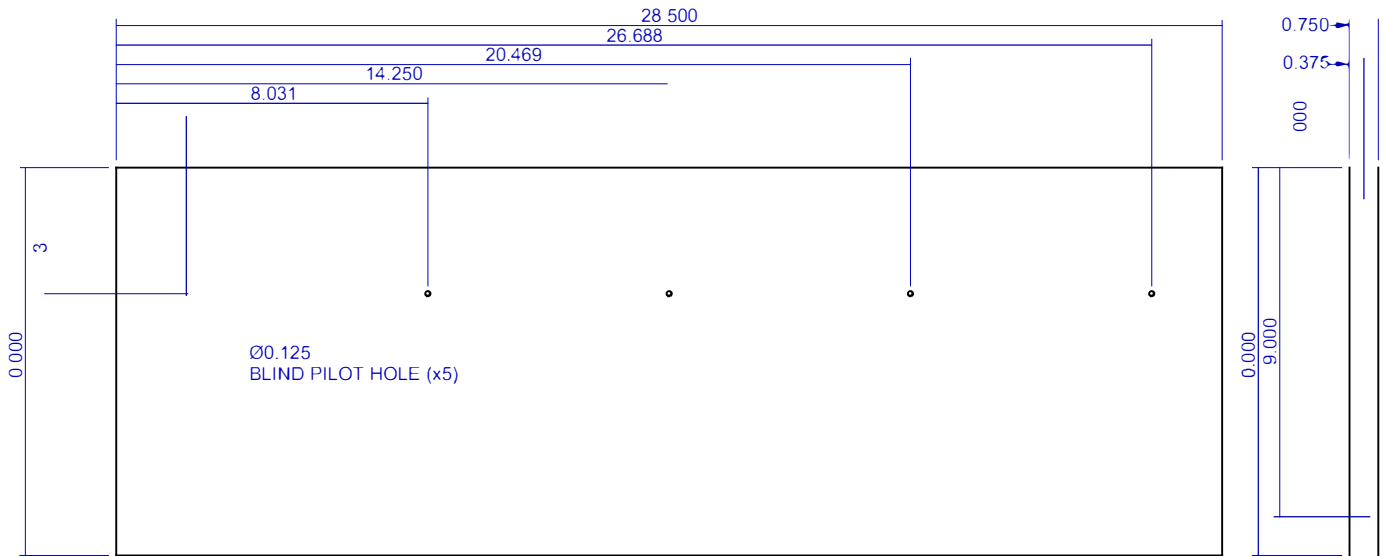


HOW TO MAKE THE STERNO PRODUCTS S'MOREGASBORD

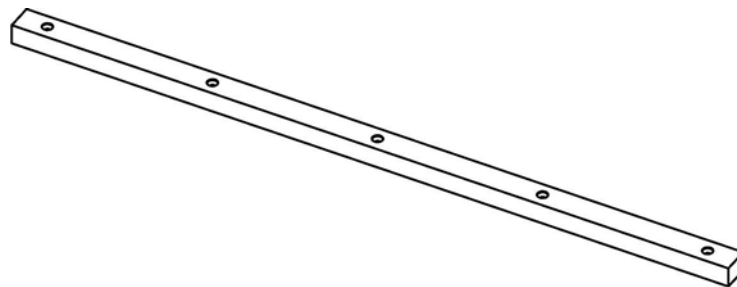
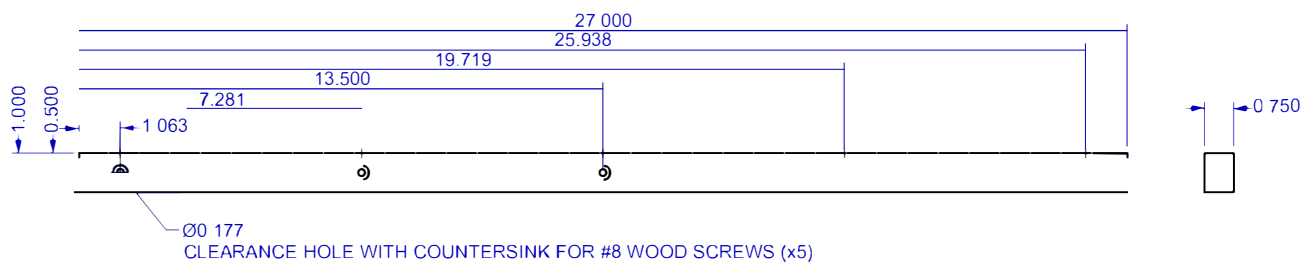




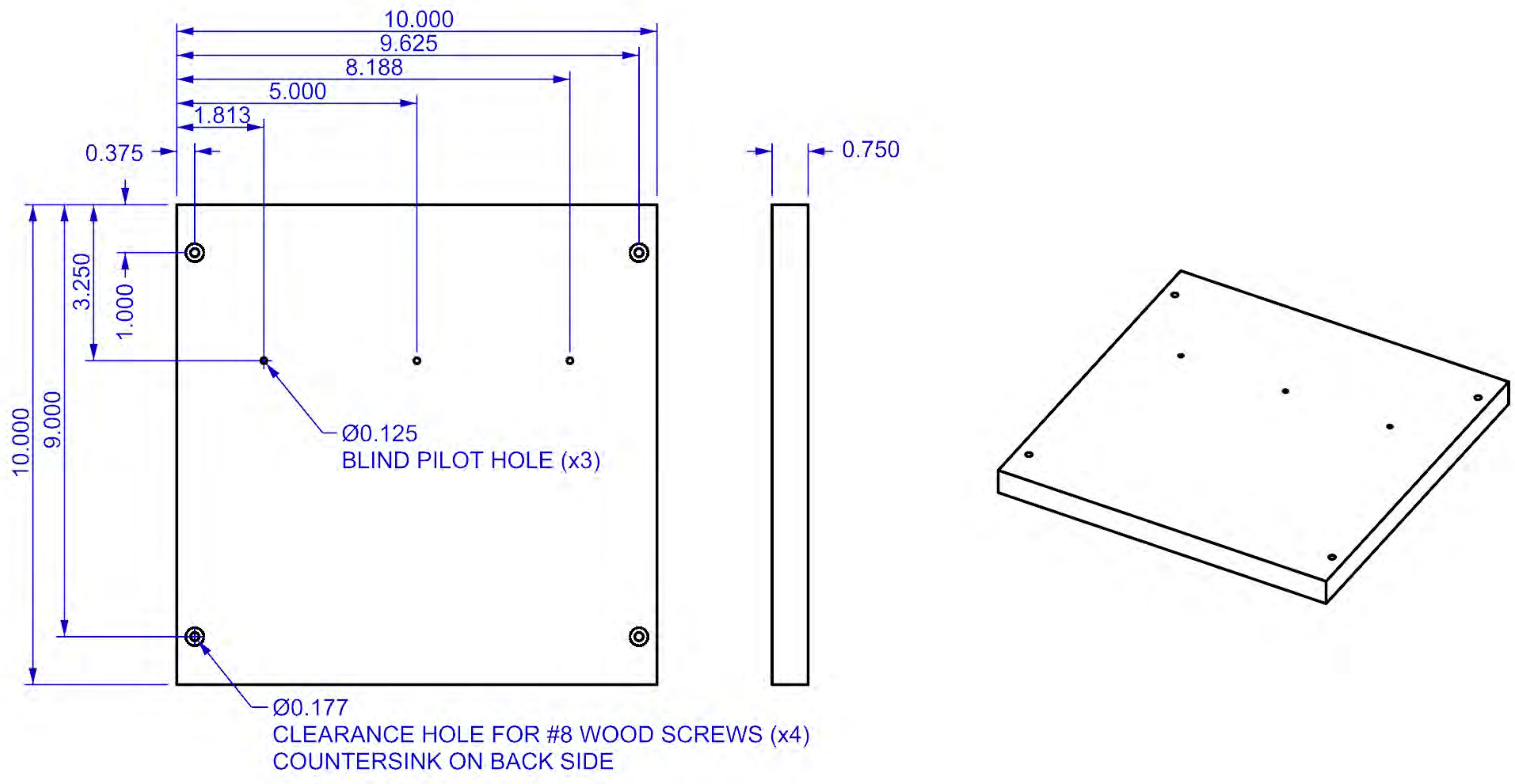
DIY S'MOREGASBORD PLAN



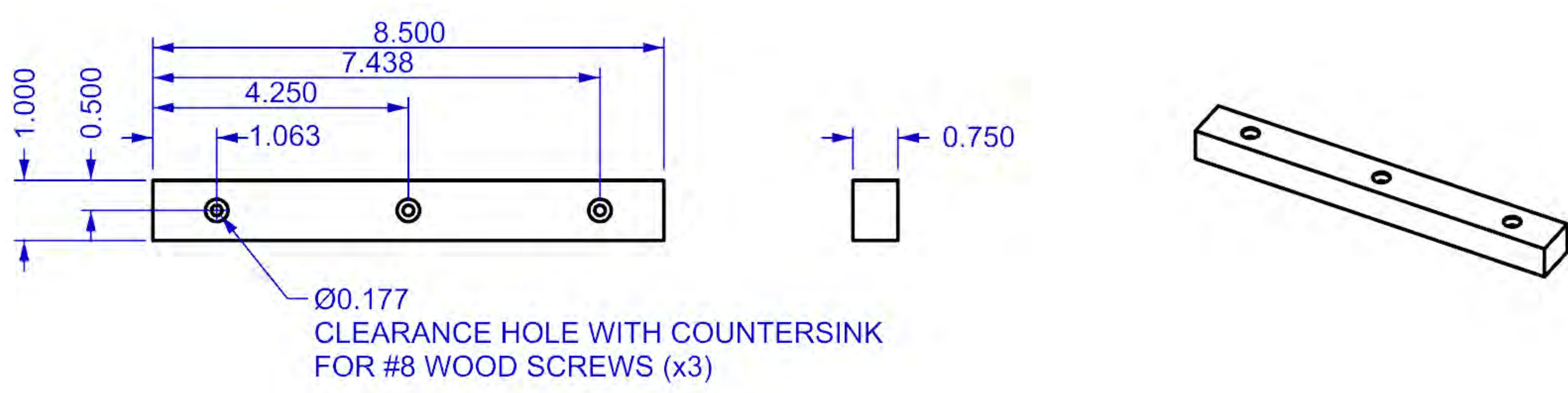
PART 1 (2 pcs)



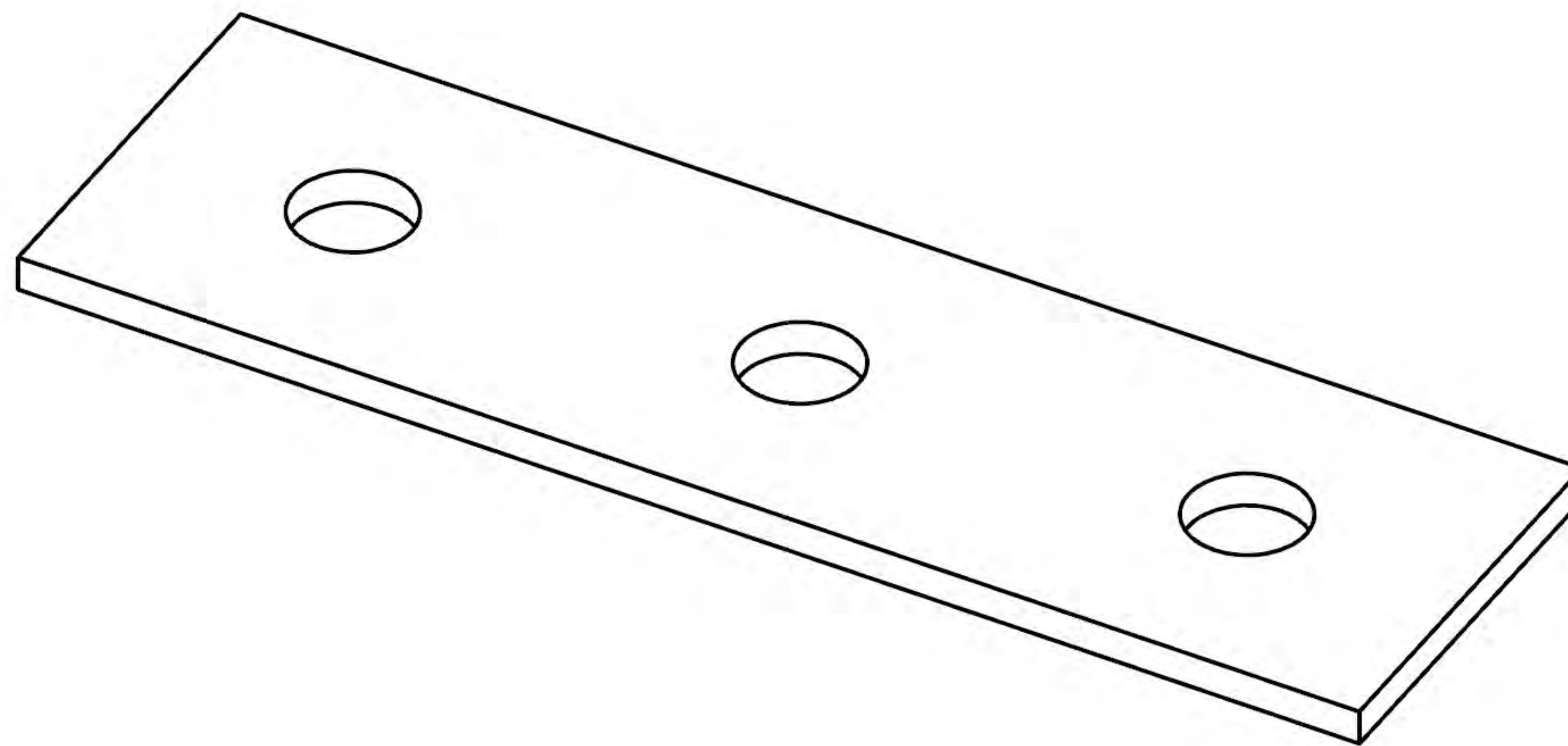
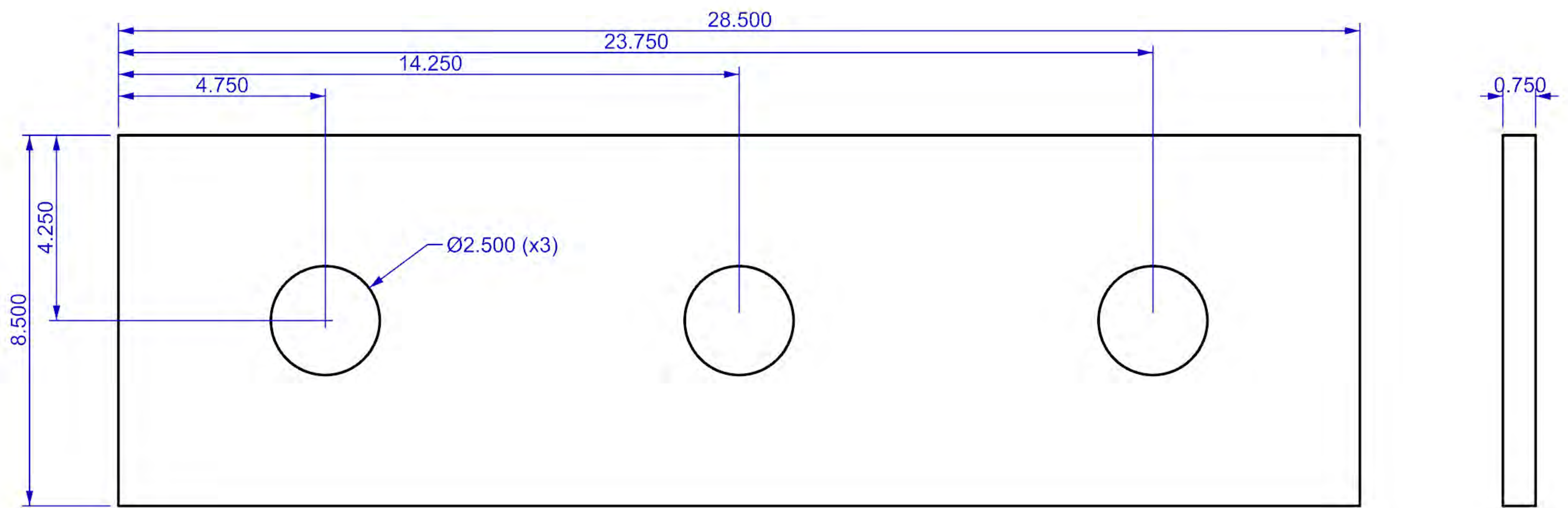
PART 2 (2 pcs)



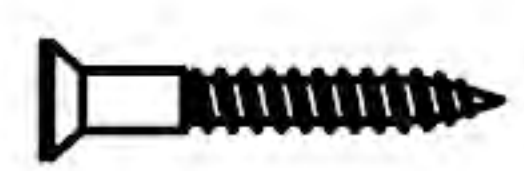
PART 3 (2 pcs)



PART 4 (2 pcs)



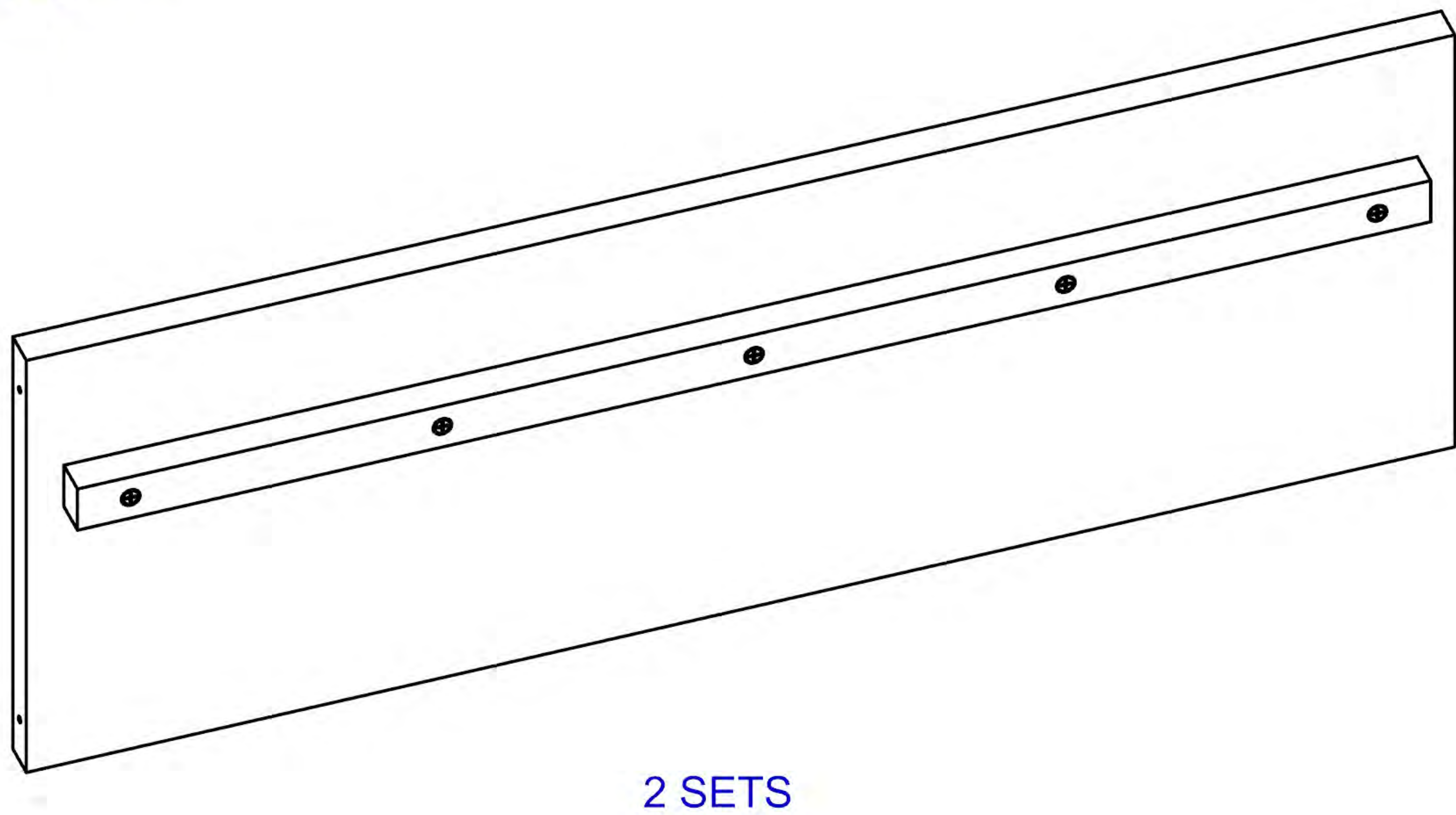
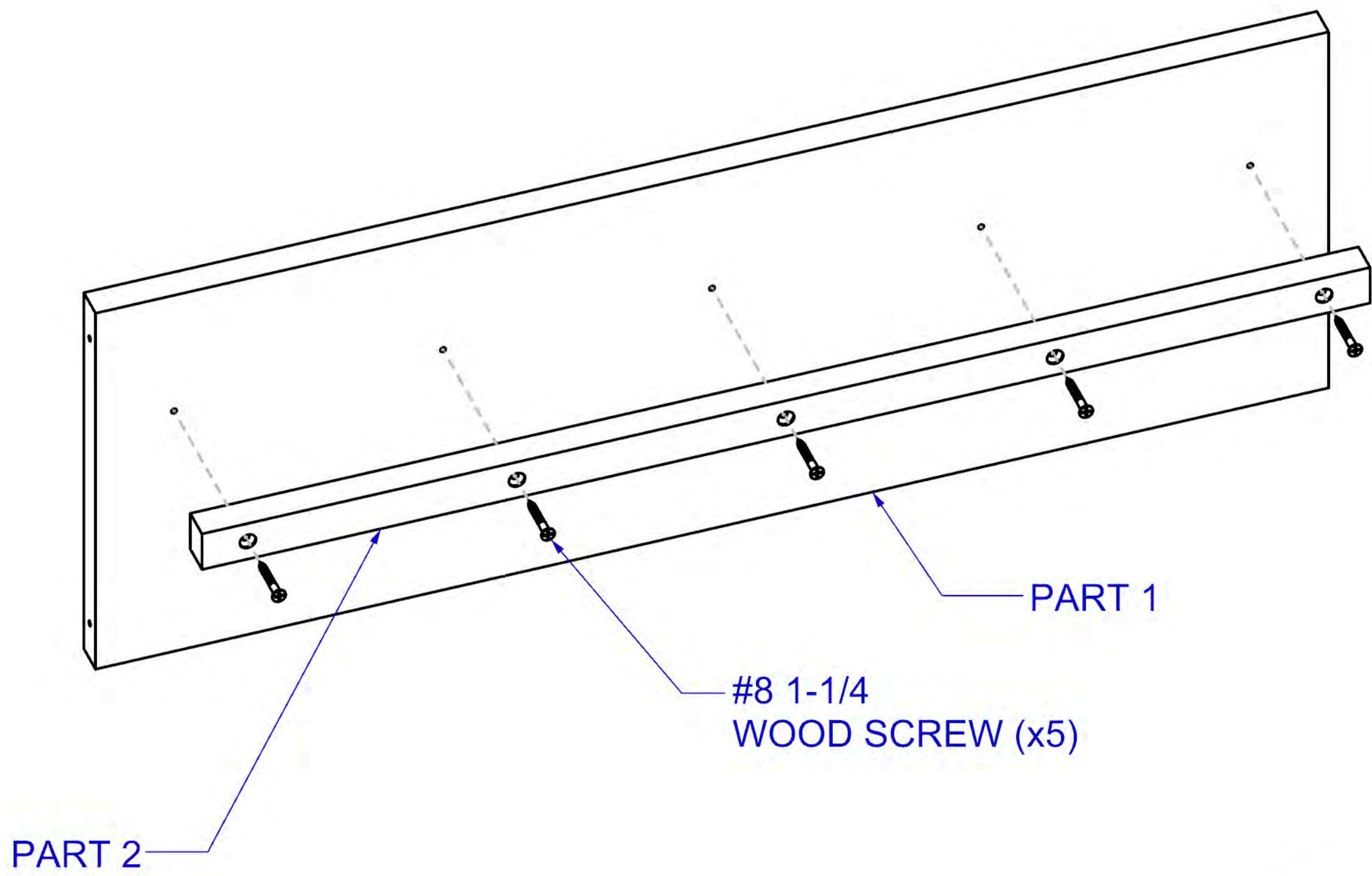
PART 5 (1 pc)



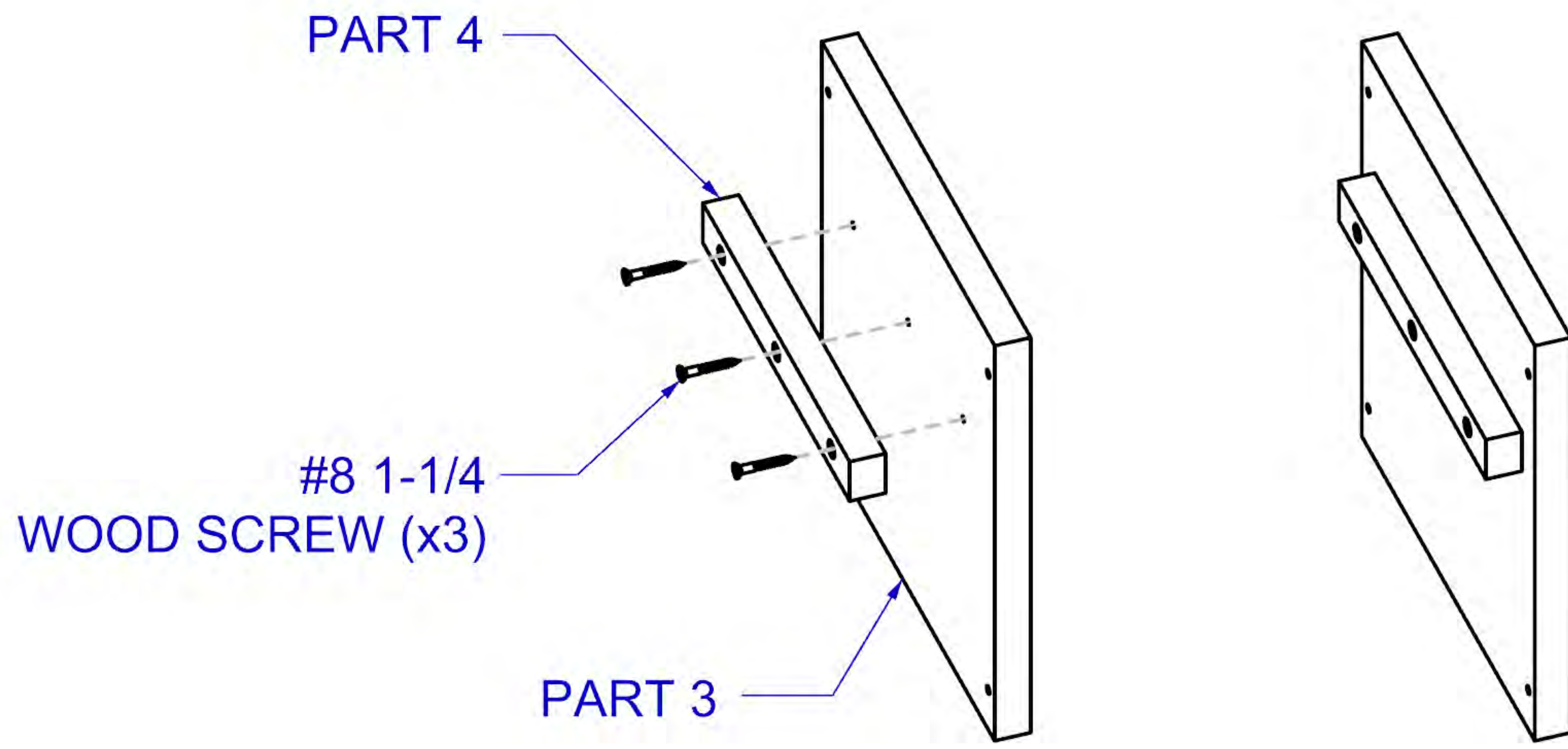
#8 1-1/4 FLAT HEAD WOOD SCREW (x16)



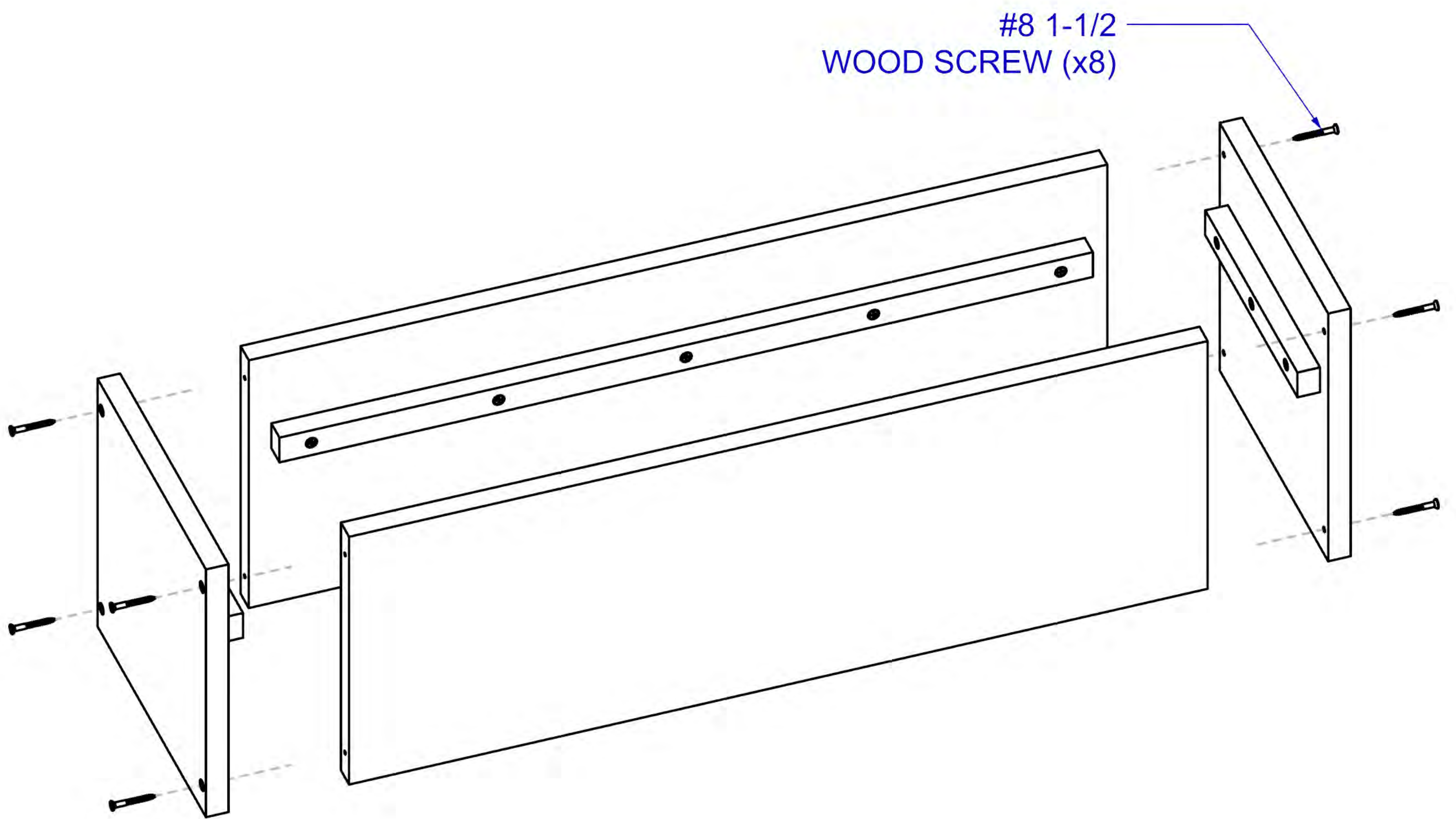
#8 1-1/2 FLAT HEAD WOOD SCREW (x8)



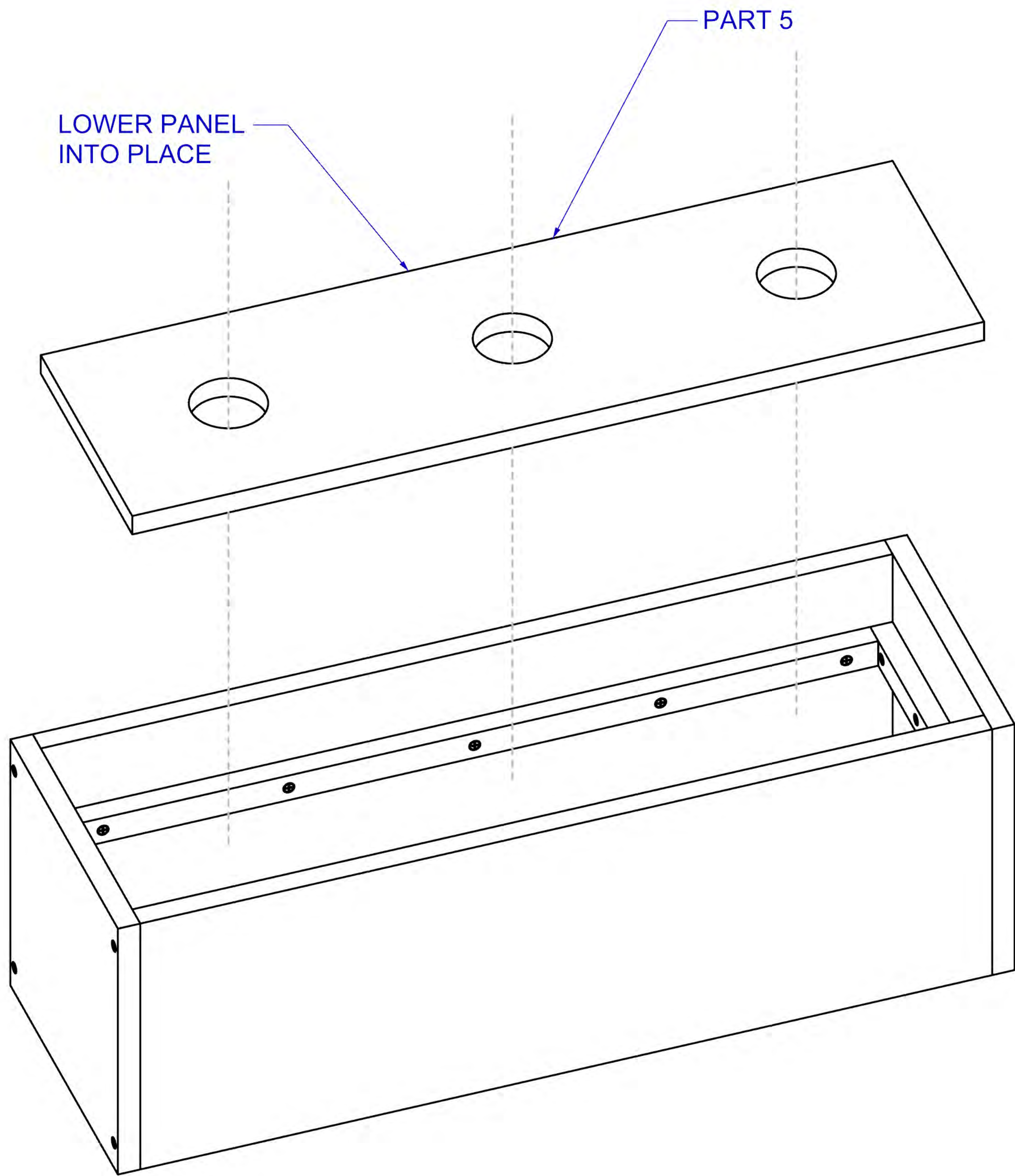
ASSEMBLY INSTRUCTIONS



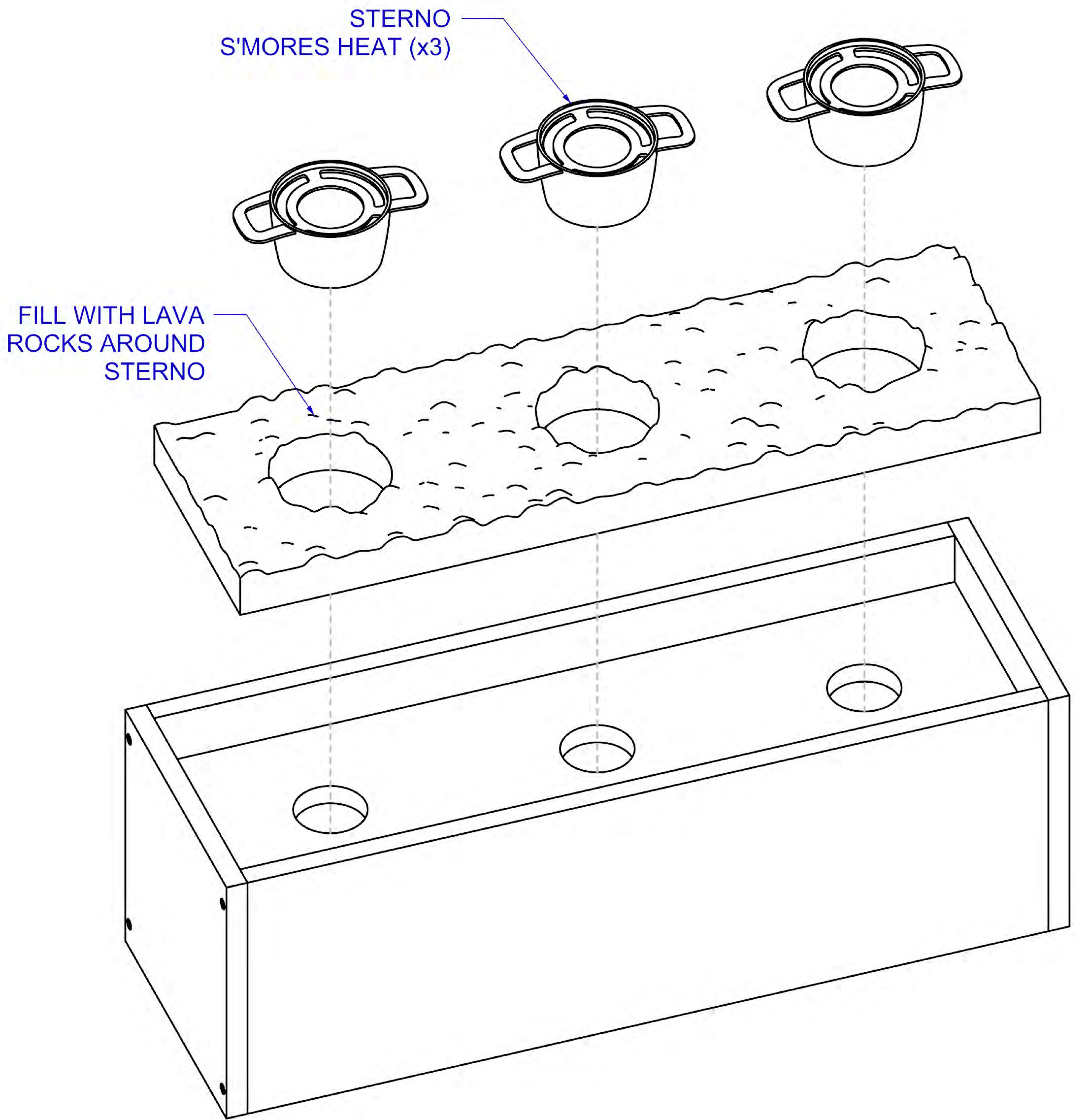
2 SETS



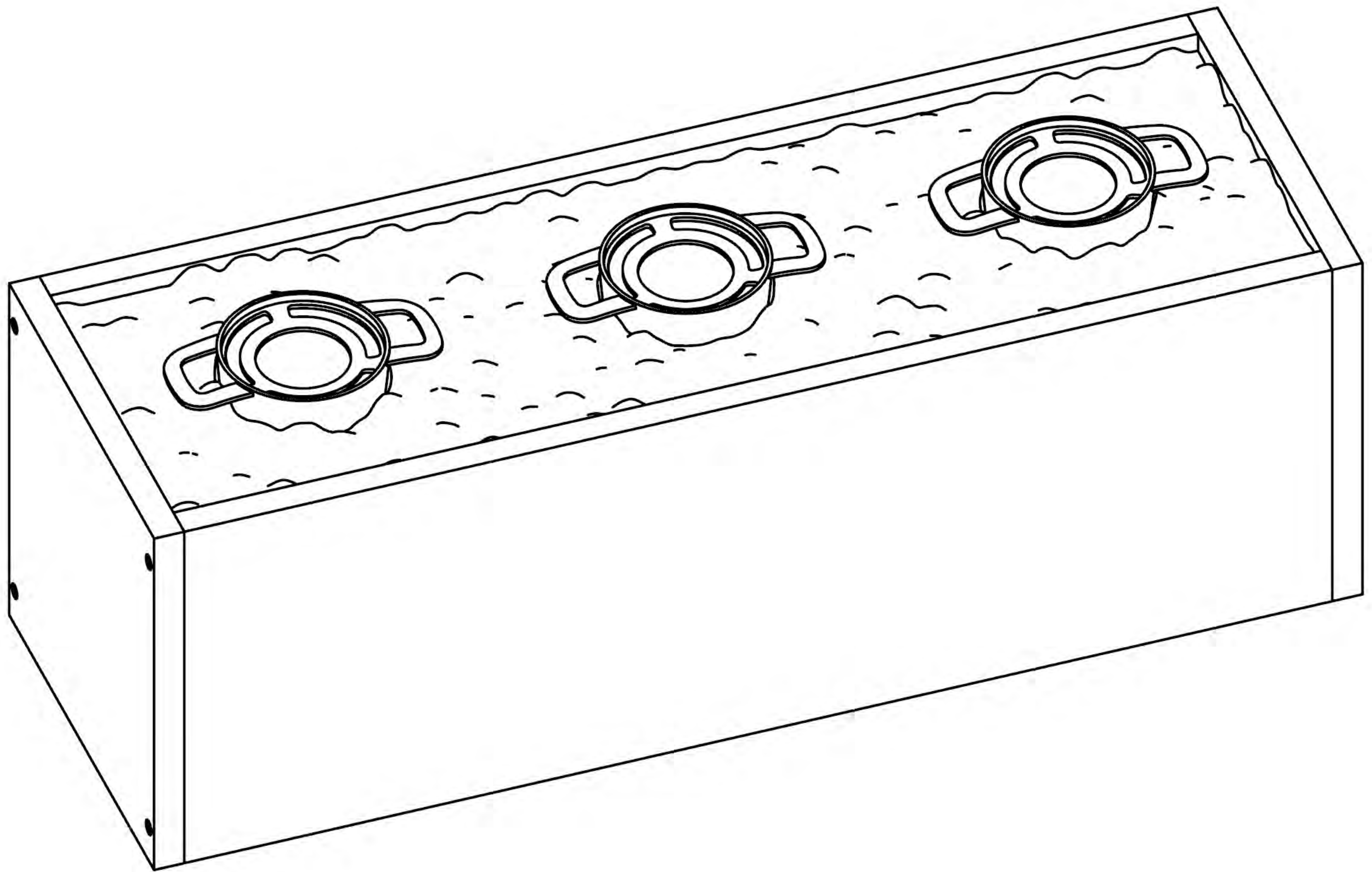
ASSEMBLY INSTRUCTIONS



ASSEMBLY INSTRUCTIONS



ASSEMBLY INSTRUCTIONS



ASSEMBLY INSTRUCTIONS