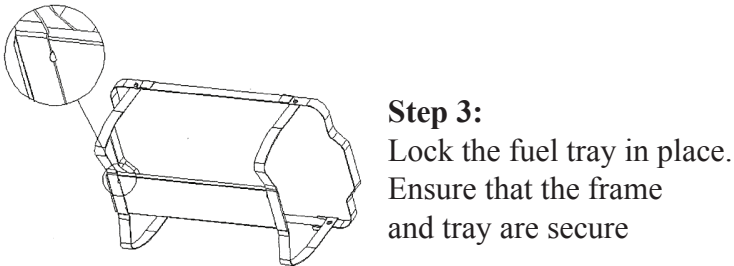
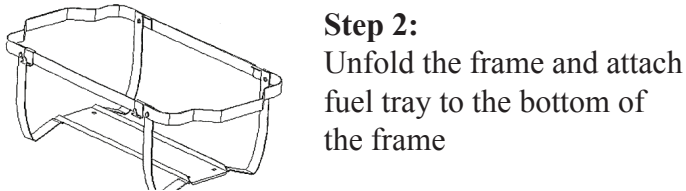
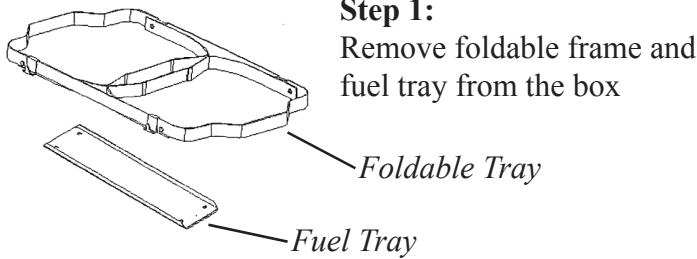


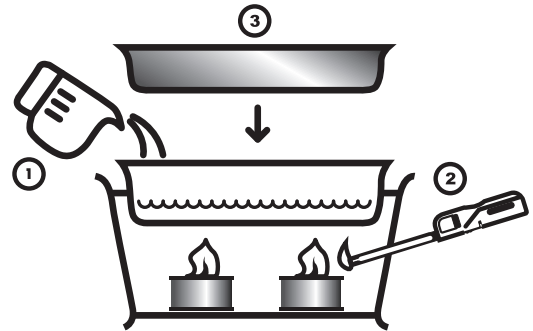
Instruction Manual:

THIS INSTRUCTION SHEET CONTAINS
IMPORTANT SAFETY INFORMATION.
PLEASE READ AND KEEP FOR
FUTURE REFERENCE.

Foldable Frame Assembly Instructions



General Usage Tips



Just Add Hot Water, Hot Food and Serve.

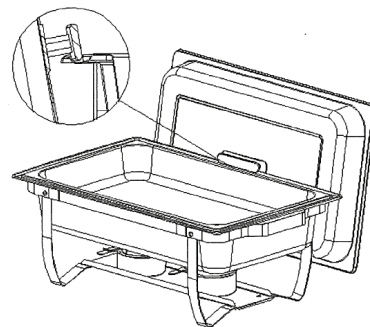
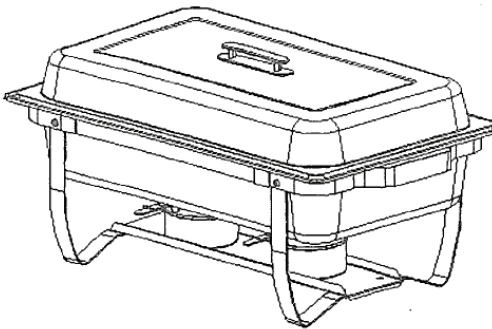
- 1. MUST** fill water pan with hot tap water approximately 1" deep.
- Place Sterno® Canned Heat in holders, then light.
- Place food pan in water pan.

Replenish water level as needed – be cautious of hot steam

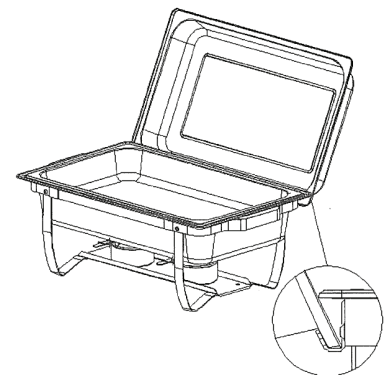
KEEP IT HOT

For best results use Sterno® Canned Heat products to keep your food warm and in the "safe zone".

Two Options to Hang the Lid



Option 1: Place the handle of the lid on the back side of the chafing dish as shown above.



Option 2: Place the lid into the slot located on the back side of the chafing dish as shown above.

Visit: [Youtube.com](https://www.youtube.com) for a quick set-up guide video!